

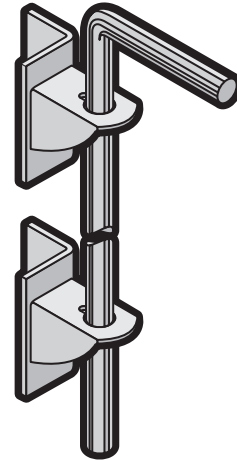
Gate Cane Bolt

Model # - GCB

Installation Instructions

Step 1

Position both cane bolt holders on the gate frame with the flat edge of the bolt holders facing up (*fig. 1*). Position the holders so that when the cane bolt is in the open position, the pinched "bump" on the cane bolt rests on the top of the upper cane bolt holder and the bottom is flush with the bottom of the gate frame.



Step 2

Mark the position of the cane bolt holders. Drill 1/8" pilot holes and mount to the gate frame with the screws provided.

Tools Required

- Pencil
- Tape measure
- Drill
- 1/8" steel drill bit
- Flat blade screwdriver

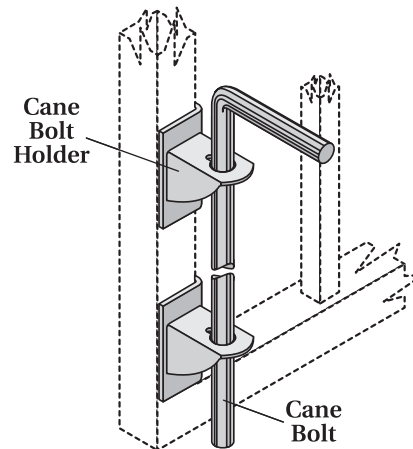


fig. 1



A Division of the Lehigh
Consumer Products Corporation
© Leslie-Locke, Compton, CA 5/03

For questions or warranty service please
contact Leslie-Locke at (800) 755-9520
from 8:00AM to 5:00PM PST or write to
Leslie-Locke Customer Service at
675 W. Manville Street, Compton, CA 90220

